

SHADE • STAT

MICRO GROW GREENHOUSE SYSTEMS, INC.

SHADE • STAT

SOLAR K-LUX LEVEL
SHADE POSITION
ENERGY MODE

66

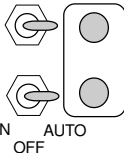
SET TIME
SET SYSTEM
SET ENERGY
MODE

Large
'Easy to
Read'
LCD
Display

Lighted
Status
Indicator



VALUE



OPEN

CLOSE

Convenient
Programming
with
Front Panel
Toggle Switches

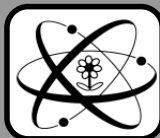
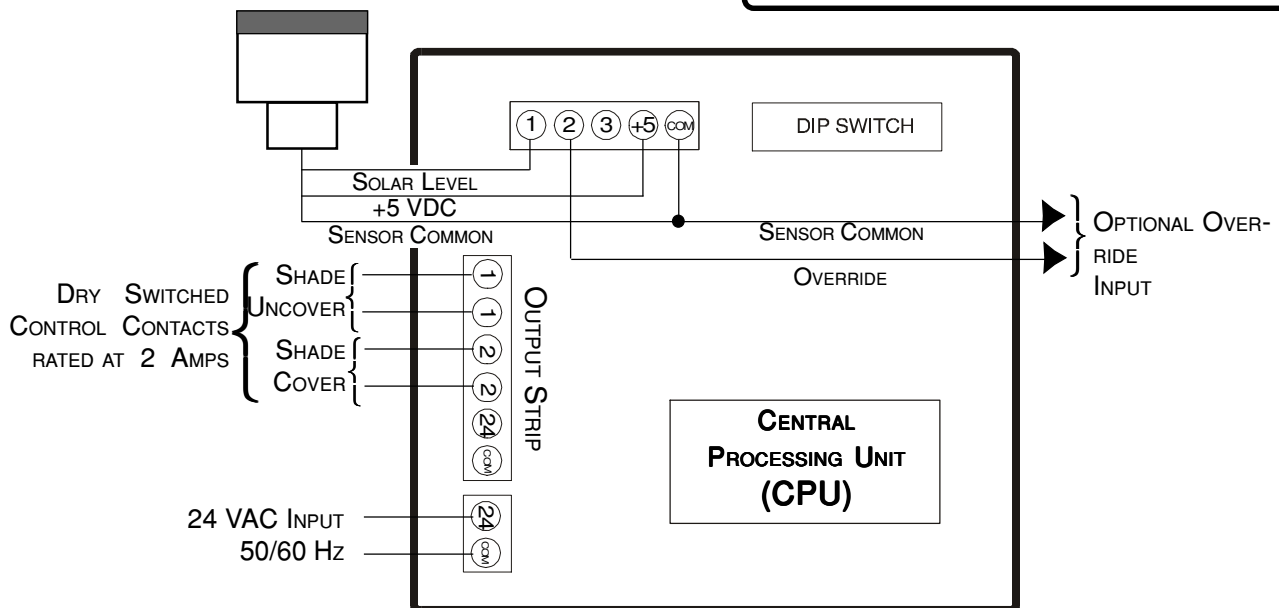
Output Toggle
Switches for
Manual/Off/
Automatic
Operation

Shade Stat Features

- Control Greenhouse Shade Curtains in up to 8 Stages
- Monitors Outdoor Solar Level Adjusting Shade to Your Settings
- Energy Curtain Feature with Night Detection Mode

Shade Stat Specifications

- Solar Klux Level Accuracy 20%
 - " Liquid Crystal Display
 - Internal Timed Staging
 - User Selectable Differential
- Clear Cover Weatherproof Enclosure 5.25" x 6.5" x 4.5" (133mm x 165mm x 114mm)
- 24VAC Low Voltage Operation, 50/60 Hz
 - Control Contacts rated at 2 Amps



MICRO • GROW
GREENHOUSE SYSTEMS, INC.

26111 Ynez Road, C-4 ◆ Temecula, CA 92591 ◆ U.S.A.
Phone 951.296.3340 ◆ Fax 951.296.3350
www.microgrow.com